

AA8M DATASHEET



AUDIBLE AVENUE LLP



Does your venue need a speaker that offers you a “complete” sound experience?

Look no further than the Audible Avenue AA 8M.

With the ability to seamlessly blend into any kind of venue - be it fine dining spaces or places of worship, entertainment destinations or even a private viewing theatre - the AA 8M is a compact high performance speaker that is so supremely adept, that it can be also be used for mobile sound reinforcement; with the promise of achieving an unmatched detailed level of sonic fidelity, irrespective of the environment that surrounds it.

Featuring a custom-designed world-class internal passive crossover designed to match the voicing of other products in AA series, the AA 8M employs the use of Faital PRO's renowned 8FE200 mid-bass driver that works seamlessly with a high-quality custom-designed rotatable horn and the high-performance DE250 compression driver - both from reputed Indian manufacturer Aerons India. And precise tuning of the AA 8M assures a flat, usable frequency response of 90 Hz to 18 kHz (-10 dB) with a 80°x 50° coverage, while offering an impressive maximum SPL of 120 dB (peak). Not only does this allow the AA 8M to ensure that your venue is always abuzz with energy and excitement of a crisp, detailed, and affirmatively authoritative soundscape; but it also ensures that the AA 8M definitively outperforms other loudspeakers in its class.

Aesthetically pleasing -the AA 8M exudes a premium yet functional design, with a reticulated grill front and acrylic textured paint finish. The rear cast aluminium connection plate has two 4 pin speakON[®] connectors fitted as standard, one input and one link - making connectivity an absolute breeze. And added to this is the ease of integrating the AA 8M within your venue, thanks to a number of mounting options that include a top hat and both horizontal and vertical mounting yokes, rotatable horns, integrated handle.

Key Features:

- Suitable for install applications as well as portable applications
- Rotatable 80° x 50° horn for unparalleled flexibility
- 120 dB SPL in a compact cabinet
- Extended low frequency delivery achieved when used in conjunction with AA B10 subs
- Hi-Fi grade components give extended 90 Hz frequency response
- Custom RAL colours available on request



Design

Mid-high cabinet, bass reflex

Components

1x8" Faitalpro 8FE200

1x HF DE250 Aerons India

1x Horn Aerons India

Connectors

2 x 4 pole speakON® connectors

Dimensions

441 x 242 x 241 mm (without C clamp)

Net Weight

10.3Kg (1 cabinet without C clamp)

Shipping Weight

25.5Kg (2 cabinets with C clamps per carton)

Colour

Black

Options

RAL colours on request

Rigging

8 x M6 mounting points for installation brackets and C clamp

5 x M6 Mounting points for wall bracket

Fitted as standard

Poll Mount

Additional data

MDF construction, with durable scratch resistant black textured paint finish, kick-proof steel grill, Wall Mount C- clamp

Impedance

8 ohms

Power handling

130 watts

Max power handling

260 watts

Sensitivity

96dB

Peak SPL

120dB

Frequency Response (- 3dB)

110Hz to 18Khz

Usable frequency (-10dB)

90Hz to 18Khz

Dispersion

80° x 50°

SYSTEM OPERATIONS

Recommended amplification

200 Watt - 300 Watt

System controller

Aerons India DSP 4080

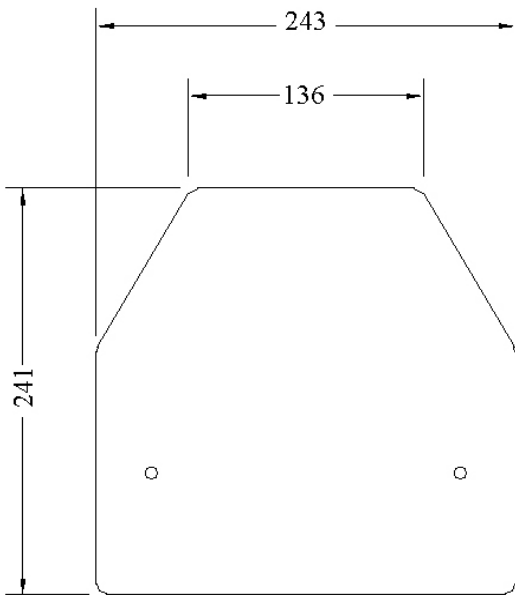
Recommended filter setting

Download from the website.

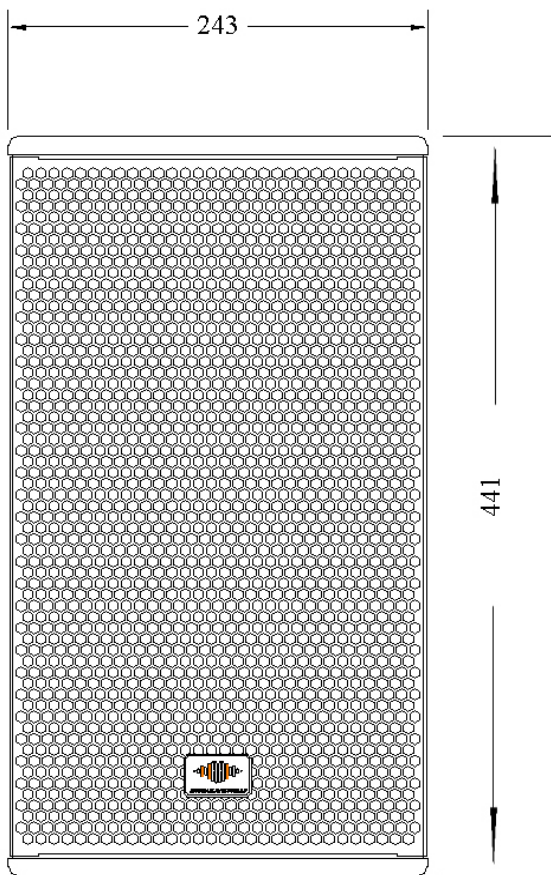
DRAWING



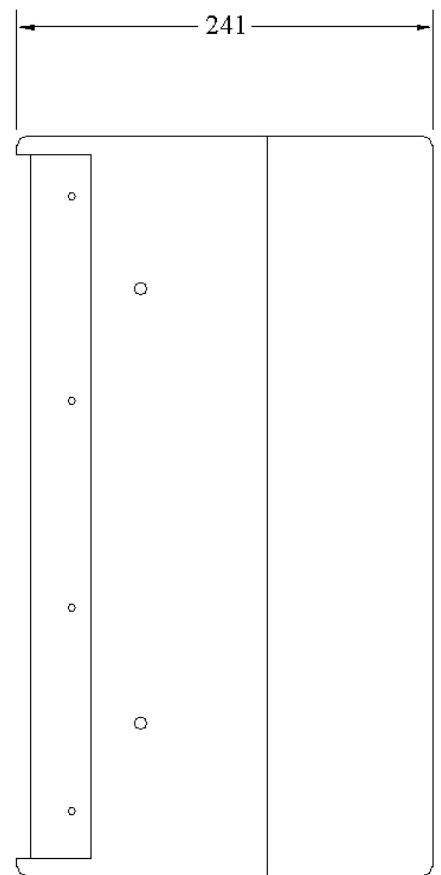
AUDIBLE AVENUE LLP



TOP



FRONT



SIDE

VIEW



AUDIBLE AVENUE LLP



*Disclaimer

THE CONTENT OF THIS DATASHEET IS PROVIDED FOR INFORMATIONAL PURPOSES ONLY, AND IS SUBJECT TO CHANGE WITHOUT NOTICE.